

MaxMotion

IEC PERFORMANCE DATA SHEET IEC Efficiency Level IE3

Catalog #: **IJA132S-4-46**

HP	kW	Voltage	L.R. Amps	Efficiency	Power Factor	Service Factor	Frame	Design
7,50	5,60	230 / 460	74,10	91,7%	0,83	1,15	132S	N

60 Hz								
FLA							Is/In	F.L. RPM
208	230	333	460	575	796	990		
/	18,10	/	9,07	/	/	/	8,17	1750

50 Hz								
FLA						Efficiency	Is/In	F.L. RPM
190	380	400	415	660	725			
22,50	11,20	10,64	10,30	/	/	89,6%	8,2	1460

Wgt. Lbs	PH	Duty	Insul. Class	Ambient Temp.	Elevation	Temp. Rise° C
107,8	3	S1	H	40°C	1000 M	29,9

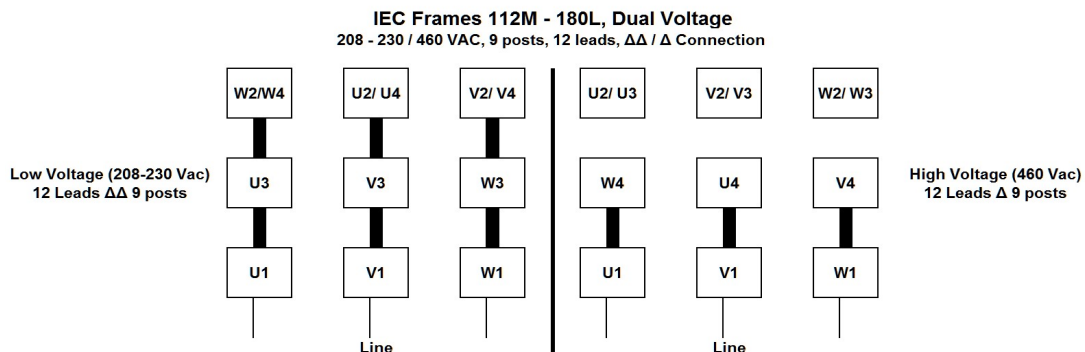
% Efficiency		% Power Factor		Torque			Protector Type	Winding Resist. Ω
Full Load:	91,7%	Full Load:	0,83	FLT ft.lbs	60Hz	50Hz		
3/4 Load:	89,5%	3/4 Load:	0,84	LRT %	262	262	PTC-150°C	1,20768
1/2 Load:	87,4%	1/2 Load:	0,80	BDT %	279	279		

Rotor Inertia Wk2 Lb-Ft2	Max Load Inertia Wk2 Lb-Ft2	Shaft Material	Frame Material	DE Bracket Type	ODE Bracket Type	Mounting	Enclosure	Protection
-	-	Standard	Aluminum	Standard	Standard	B3	TEFC	IP55

Ball Bearings		Grease	Mount Type	Orientation	Cold Start (Secs)	Paint
DE	ODE					
6308ZZ-C3	6308ZZ-C3	Mobil PolyRexEM	Rigid	Horizontal	15	Red

Inverter Duty. Motor meets MG1 parts 31.4.4.2	Constant Torque Range	Variable Torque Range
	10:1	20:1

WIRING CONNECTION DIAGRAM : C



Date: **25 janvier, 2024**
 Customer: _____
 Contact: _____
 Submittee: **J.C. Lavallée**

Catalogue #: **IJA132S-4-46**

IEC Efficiency Level IE3											
HP	Kw	VAC	RPM	Enclosure	Frame	Frequency	Design	Poles	LR Is/In	Insulation Class	Temp. Rise °C
7,50	5,60	230 / 460	1750	TEFC	132S	60	N	4	8,17	H	29,9

Load %	0%	25%	50%	75%	100%	125%	150%
Amps	7,33	7,33	8,02	8,37	9,07	10,47	13,26
Torq ft/lbs	0	5,51	11,10	16,76	22,51	29,34	37,68
RPM	0	1788	1775	1763	1750	1678	1568
Eff %	0	65,4	87,4	89,5	91,7	89,3	82,1
PF %	0	37,9	80,0	84,0	83,0	85,5	87,2

	Locked Rotor	Pull-Up	Breakdown	Rated Load	Idle	Duty	S. F.	Ambient	Elevation	dBA @ 1M
Speed (RPM)	0	810	1350	1750	1800	S1	1,15	40°C	3,300 ft	-
Current (Amps)	74,10	59,28	41,50	9,07	7,33	VFD Rating: Meets MG1 parts 31.4.4.2				
Torque (ft-lbs)	58,97	50,13	62,80	22,51	0,0	CT :	10:1	VT :	20:1	

